

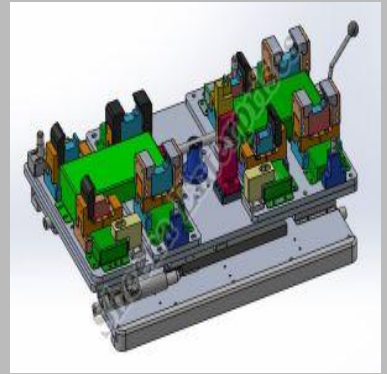
We are leading name engaged as Manufacturer, Supplier, Trader, Retailer, Exporter and Distributor of wide range of Material Handling Equipments, Pasting Machine, Pneumatic Presses, Power Press and SPM Machine etc...



Lubrication and Greasing System



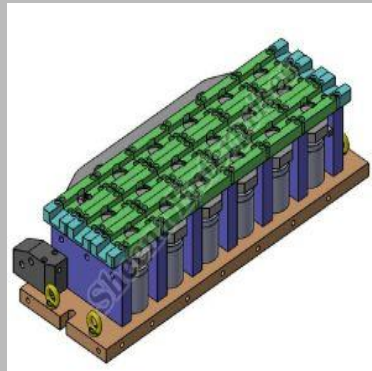
Robotic Welding Fixture



Assembly Line Pallets



Hydro Pneumatic Press Machine



Hydraulic Grinding Fixture



Bush Forming Machine



Sheena Enterprises

About Sheena Enterprises

Sheena Enterprises, based in **Pune, Maharashtra**, is a dynamic **manufacturer and trader** specializing in a diverse range of industrial equipment and machinery. Established in **2017** under the visionary leadership of **Mr. Mujahid Maulavi**, the company has swiftly carved a niche for itself in the market with its commitment to quality, innovation, and customer satisfaction.

At **Sheena Enterprises**, we take pride in our extensive product portfolio, which includes a variety of welding fixtures, special purpose machines, assembly fixtures, and hydraulic equipment designed to meet the diverse needs of our clients. Our offerings encompass a wide array of industrial solutions, ranging from robotic welding fixtures such as SFC Robotic Welding Fixture and Laser Welding Fixture to specialized machinery like Grease Milling Machine and Sticker Pasting Machine.

One of our key strengths lies in our ability to tailor solutions to the specific requirements of our customers. Whether it's designing custom welding fixtures for automated manufacturing processes or developing special purpose machines for unique production needs, our team of experienced engineers and technicians work closely with clients to deliver bespoke solutions that optimize efficiency and productivity.

In addition to manufacturing, **Sheena Enterprises** also serves as a trusted trading partner, sourcing high-quality equipment such as the 8 Ton Hydro Pneumatic Press and Stacker Reclaimer Machine from reputable suppliers to offer comprehensive solutions to our clientele.

With a focus on continuous improvement and technological advancement, we are committed to staying abreast of industry trends and implementing cutting-edge manufacturing techniques to ensure that our products remain at the forefront of innovation.

Driven by a passion for excellence and a dedication to exceeding customer expectations, **Sheena Enterprises** is poised to continue its journey of growth and success in the industrial equipment sector, both regionally and beyond.



Sheena Enterprises

Factsheet

Basic Information

Nature of Business : Manufacturer / Supplier / Trader / Retailer / Exporter / Distributor

Contact Person : Mr. Mujahid Maulavi

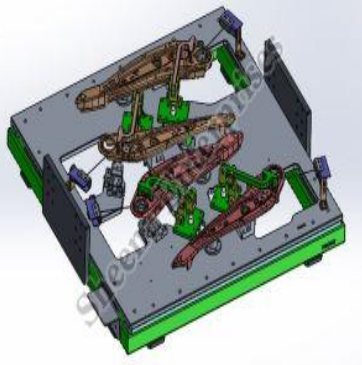
Registered Address : Murkute Estate, Pune, Maharashtra

Total Number of Employees : Below 20

Year of Establishment : 2017

Legal Status of Firm : Individual (Sole proprietorship)

Welding Machine Parts



SFC Robotic Welding
Fixture



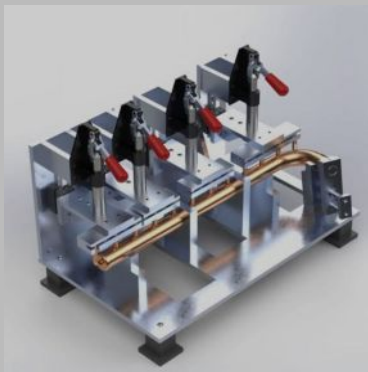
Robotic Welding Fixture



Laser Welding Fixture

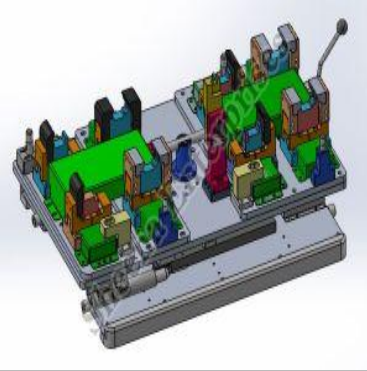


H CELL Robotic Welding
Fixture



BIW Welding Fixture

Other Products/Services



Assembly Line Pallets





Sheena Enterprises


Contact Us

Sheena Enterprises

Contact Person : Mr. Mujahid Maulavi

 Murkute Estate

 sales@sheenaentp.com

 <https://www.exportersindia.com/sheenaenterprises>